

MINI CRAMPONS

EN Anti-slip crampons.
 IT Ramponi anti-scivolo.
 FR Crampons anti-glisement.
 DE Rutschfesten Mini-Steigeisen.
 ES Mini-crampones antideslizantes.

CE
0333

MADE IN ITALY

Conform to:
 PPE. Regulation 2016/425 | Directive 89/686/EEC
 Personal Protective Equipment against falls from a height.



CT
 climbing
 technology

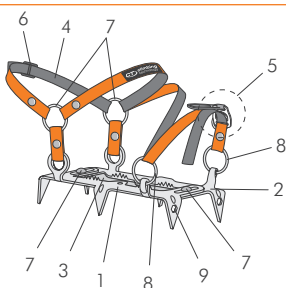
by Aludesign S.p.A. via Torchio 22
 I 24034 Cisano B.sco BG ITALY
 Central tel: +39 035 78 35 95
 Central fax: +39 035 78 23 39
 www.climbingtechnology.com

IST31-31891CT_rev.0 02-18

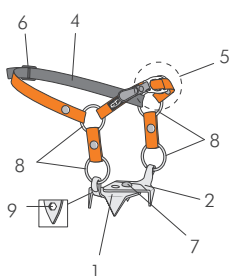
1 MODELS

MODEL	REF No.	POINTS	
MINI CRAMPONS 6P	31891A0	6	490 g
MINI CRAMPONS 4P	31892A0	4	294 g

2 NOMENCLATURE

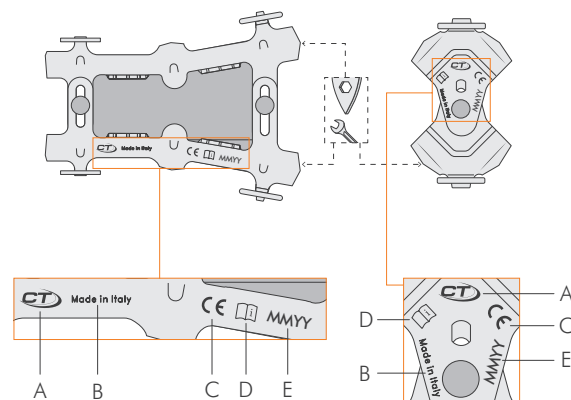


2.1 - MINI CRAMPONS 6P

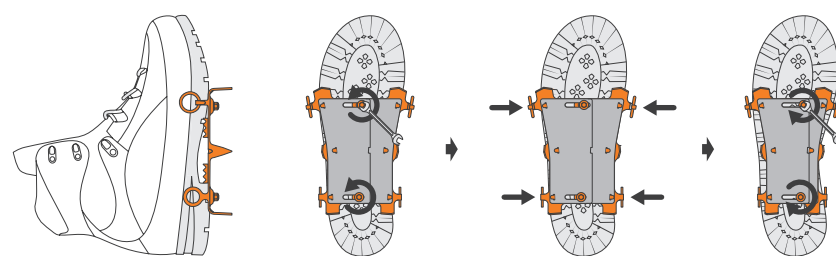


2.2 - MINI CRAMPONS 4P

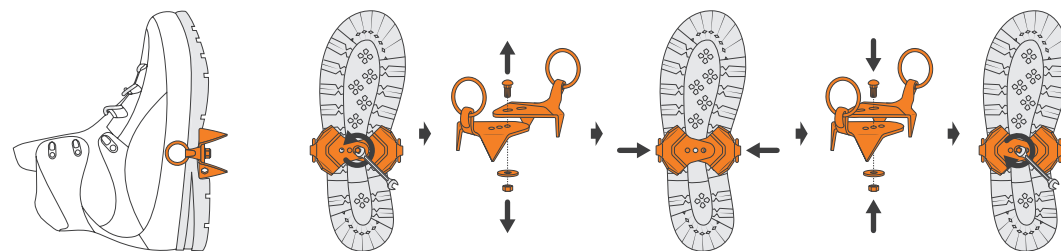
3 MARKING



4 WIDTH ADJUSTMENT

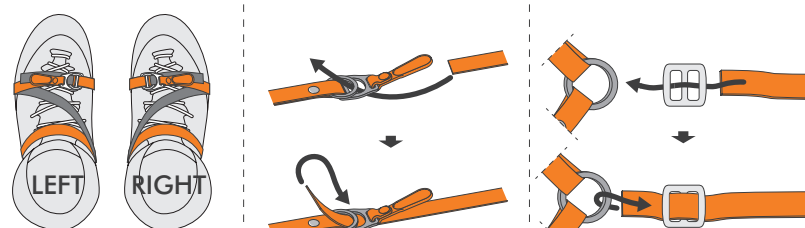


4.1 - MINI CRAMPONS 6P

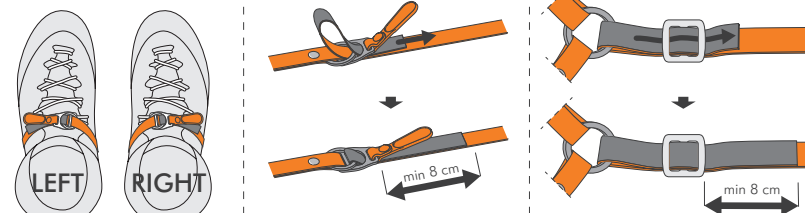


4.2 - MINI CRAMPONS 4P

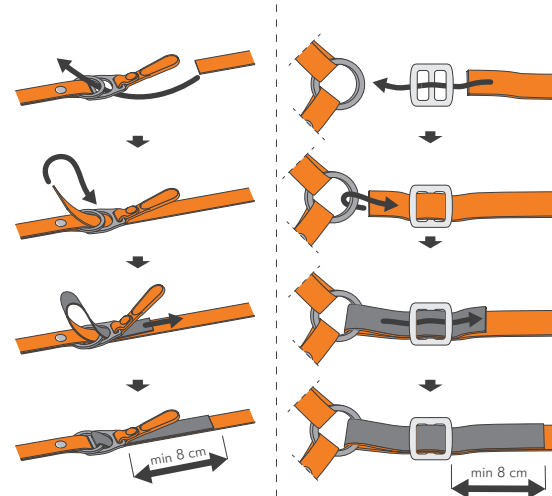
6 BUCKLES SETTING



6.1 - MINI CRAMPONS 6P



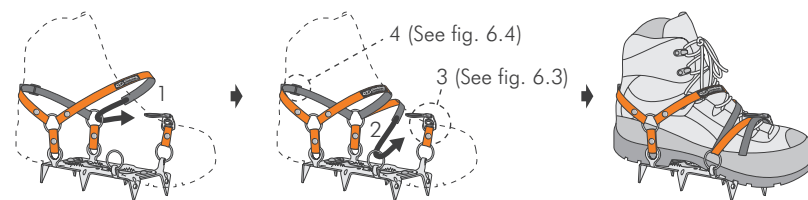
6.2 - MINI CRAMPONS 4P



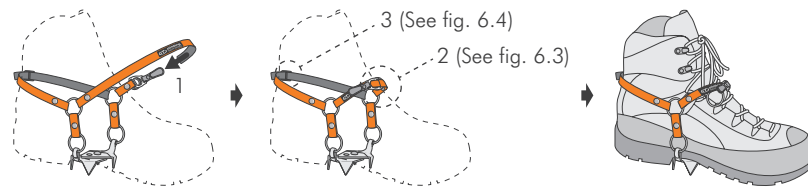
6.3

6.4

5 ATTACHMENT TO BOOT

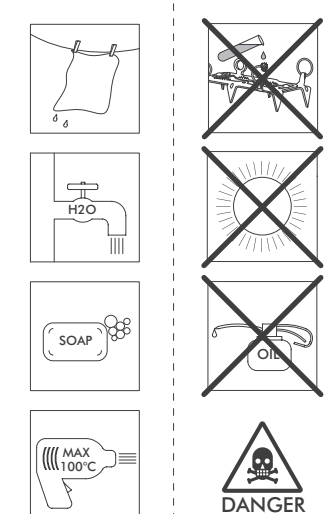


5.1 - MINI CRAMPONS 6P



5.2 - MINI CRAMPONS 4P

8 WARNINGS

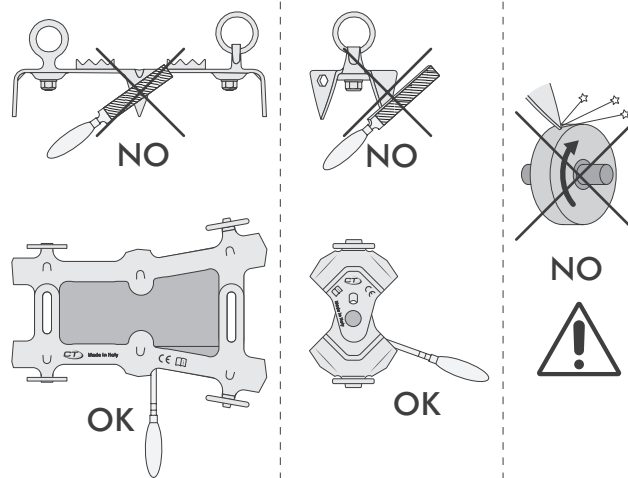


OK!

8.1

8.2

7 SHARPENING



7.1

7.2

7.3

P.P.E. tested by:
 APAVE SUDEUROPE SAS
 NOTIFIED BODY "0082"
 8, rue Jean-Jacques Vernazza Z.A.C.
 Saumay-Séon CS 60193 - 13322
 MARSEILLE CEDEX 16 FRANCE

apave
 SUDEUROPE SAS

Notified Body responsible for
 the control of manufacturing:

AFNOR CERTIFICATION
 NOTIFIED BODY "0333"
 11, rue Francis de Pressensé 93571
 La Plaine Saint-Denis Cedex, FRANCE

afaq
 ISO 9001
 Qualité
 AFNOR CERTIFICATION

