

Cantilever Arm AASS-M

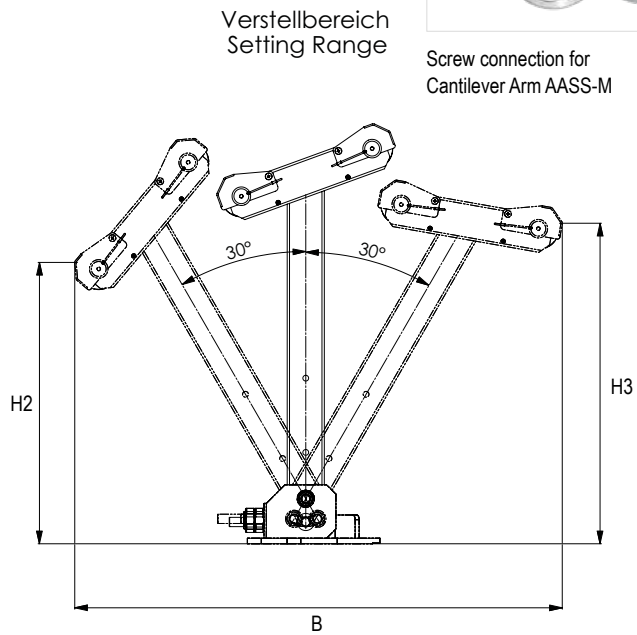
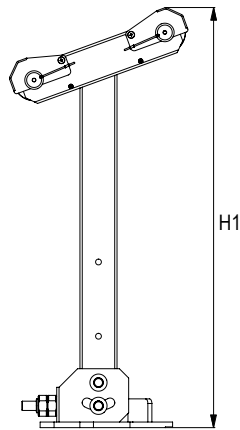
according to EU regulation 2016/425 / EN 795:2012 Typ B



Grundstellung
Basic Position



Screw connection for
Cantilever Arm AASS-M



Product information:

Order No:	Width(B)	Height (H1)	Height (H2)	Height (H3)	Weight
41-58V4a	1051 mm	905 mm	606 mm	691 mm	25 kg

optional:

Order No:	Description	Conformity	Weight
41-55/1	Rescue slide AASS-M	Bestandteil Auslegerarm	11 kg
41-54/HLW 1-4	Bracket for PLW	Bestandteil Auslegerarm	2,2 kg
41-PLW	PLW personnel and load winch	Directive 2006/42/EG	18,5 kg
41-54/A9,5-24V4	Bracket for HRA Devices 9,5-24	Bestandteil Auslegerarm	3,5 kg
41-HRA 12 / 41-HRA 18	HRA retractable type fall arrester	EU Regulation 2016/425	7/11,5 kg

Features

Cantilever Arm AASS-M

- V4A stainless steel design
- Stable thanks to solid construction, high quality
- Screw connection for cantilever Arm included in scope of delivery
- Additional load test according to CEN/TS 16415:2013
- Hole pattern as required
- **optionally available:** Rescue slide
- **optionally available:** Bracket for extension arm and lower arm
- **optionally available:** PLW person and load winch nominal load 300 kg
- **optionally available:** Can be used with HRA 12 and HRA 18 IKAR retractable type fall arrester with rescue lift