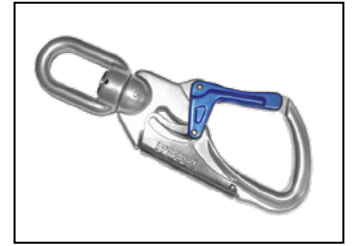
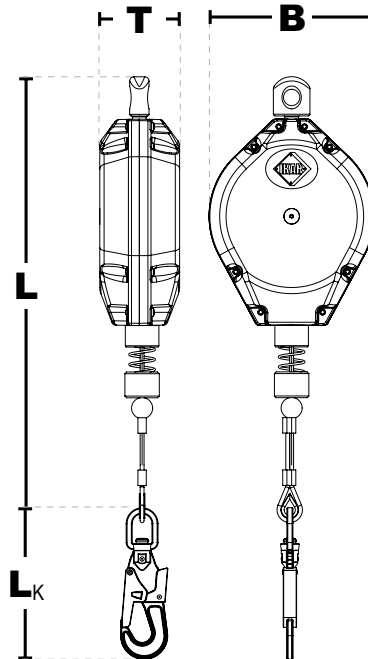


## Flexible HWPS 18

according to FprEN360:2022



IKV 21 (EN 362:2004-T)  
with fall indicator



**Explanations of the device names:**

- H = Retractable type fall arrester
- W = Swivel attachment point
- S = Steel lifeline
- B = Webbing lifeline
- P = Plastic housing
- Number = Operational length of the device



IKAR retractable type fall arrester have been successfully tested in a simulated fall trial over and edge according to FprEN360:2022 ( $r \geq 0,5$  mm).

### Product information:

Order No:	Application length	Housing	Weight	Dimensions (LxBxT)	Connector ( $L_K$ ) IKV 21
41-HWPS 18	18,0 m	Plastic	6,3 kg	520 x 227 x 100 mm	185,5 mm

### Features

**Retractable type fall arrester with internal energy absorber.**

- Sturdy and low-maintenance retractable type fall arrester.
- Lightweight and robust ABS plastic housing with a rotational attachment eye.
- The rotational attachment eye prevents the galvanized steel lifeline from twisting.
- Lifeline made of galvanized steel  $\varnothing$  4,8 mm.
- Standard connector IKV 21 with swivel attachment, which prevents twisting of the galvanized steel lifeline.
- Nominal load: 136 kg
- Temperature range of application: -40°C bis +50°C
- Lifespan: approx 10 years